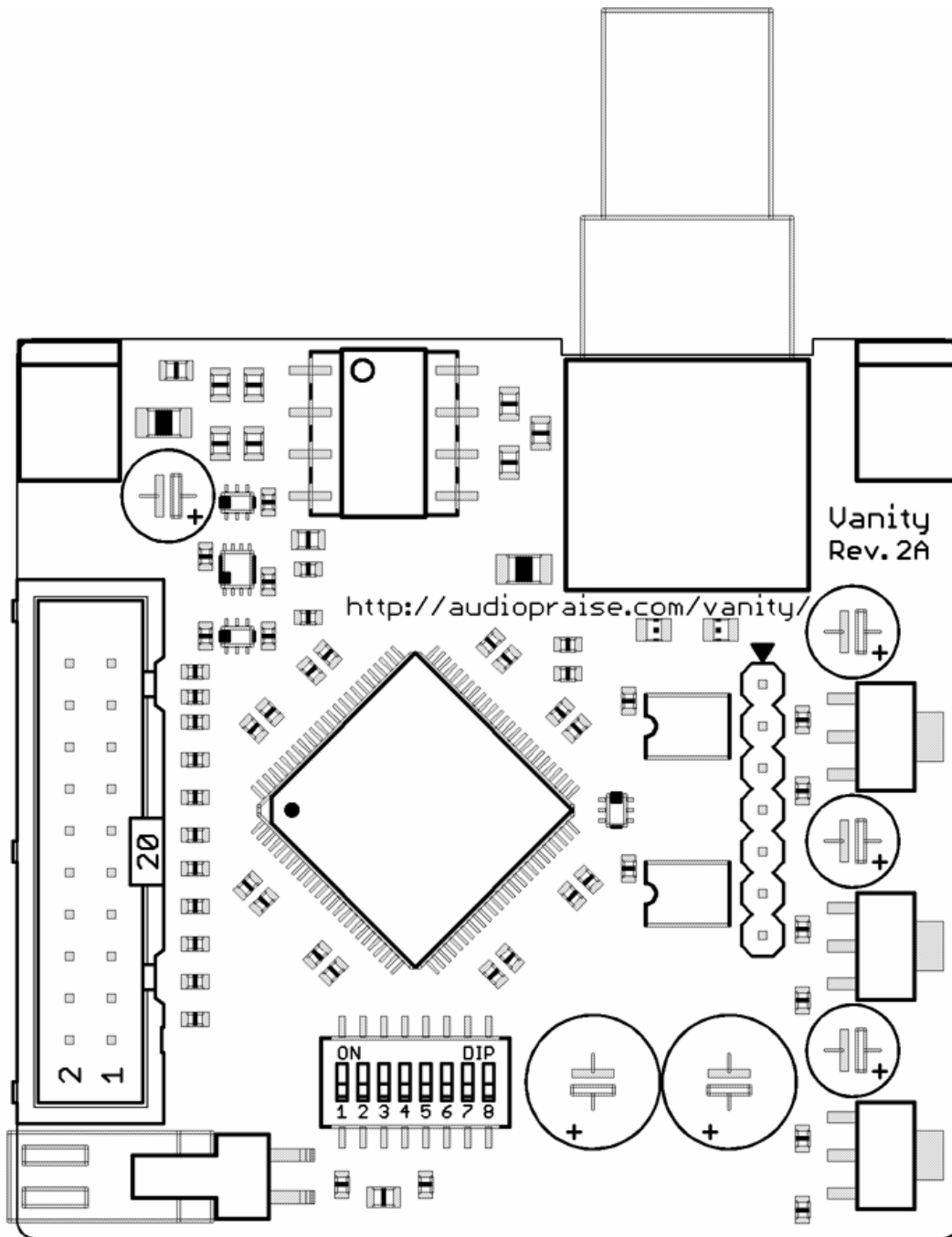
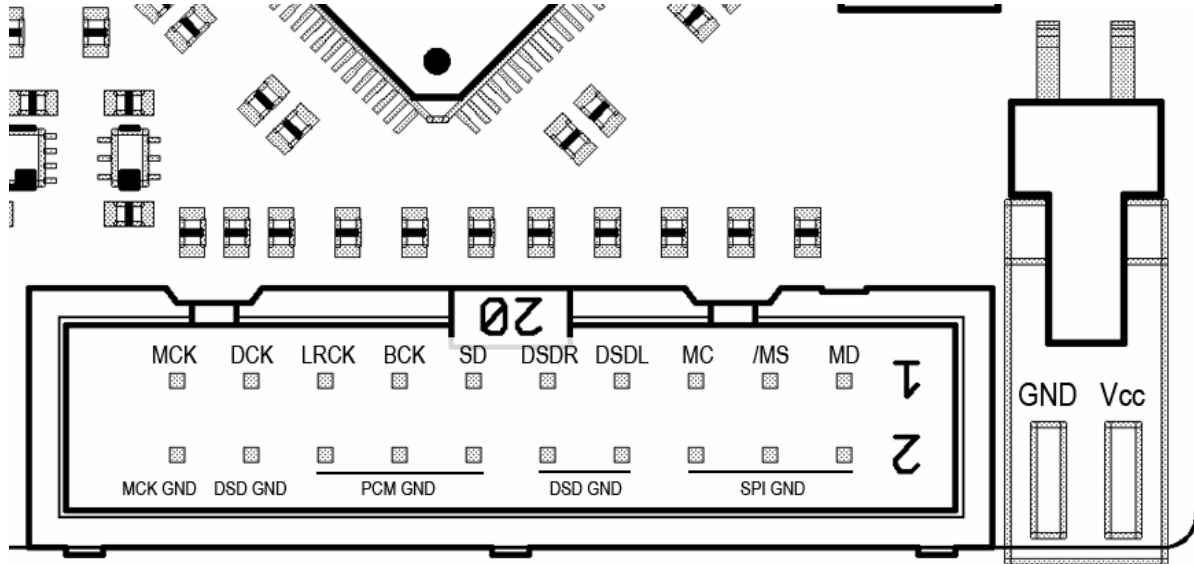


Vanity module Installation guide for Pioneer DV-59AVi / DV-868AVI / DV-668AV



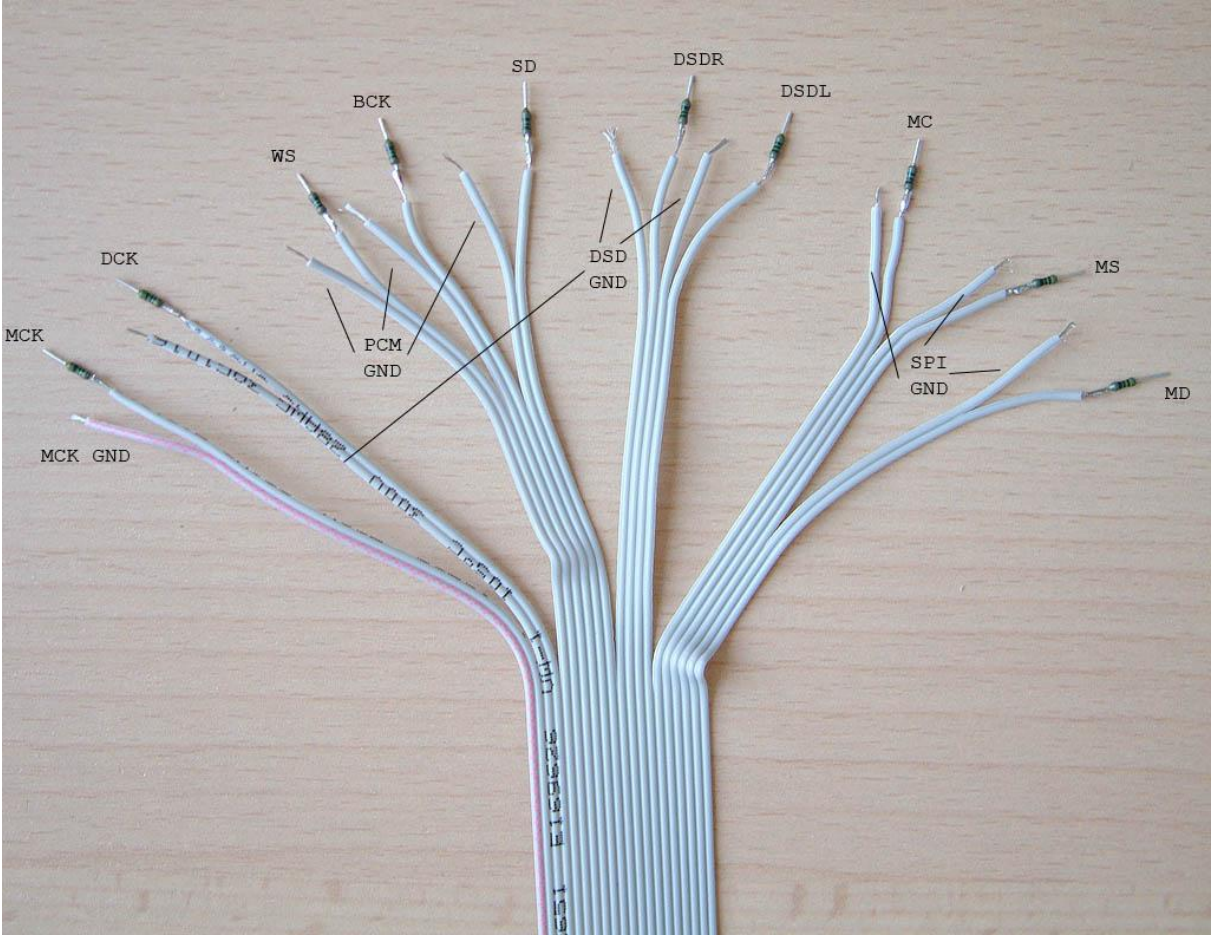
Connector pinout



- | | | | |
|-----------------|--------------------|---------|-----------------------|
| MCK | – Master Clock | MCK GND | – Master Clock Ground |
| DCK | – DSD Bitclock | DSD GND | – DSD Ground |
| LRCK | – Left/Right Clock | PCM GND | – PCM Ground |
| BCK | – PCM Bitclock | SPI GND | – SPI Ground |
| SD | – PCM Serial Data | | |
| DSDR | – DSD Right Data | | |
| DSDL | – DSD Left Data | | |
| MC | – SPI Clock | | |
| MS | – SPI Select | | |
| MD | – SPI Data | | |
| | | | |
| V _{CC} | – Power Supply, 5V | | |
| GND | – Ground | | |

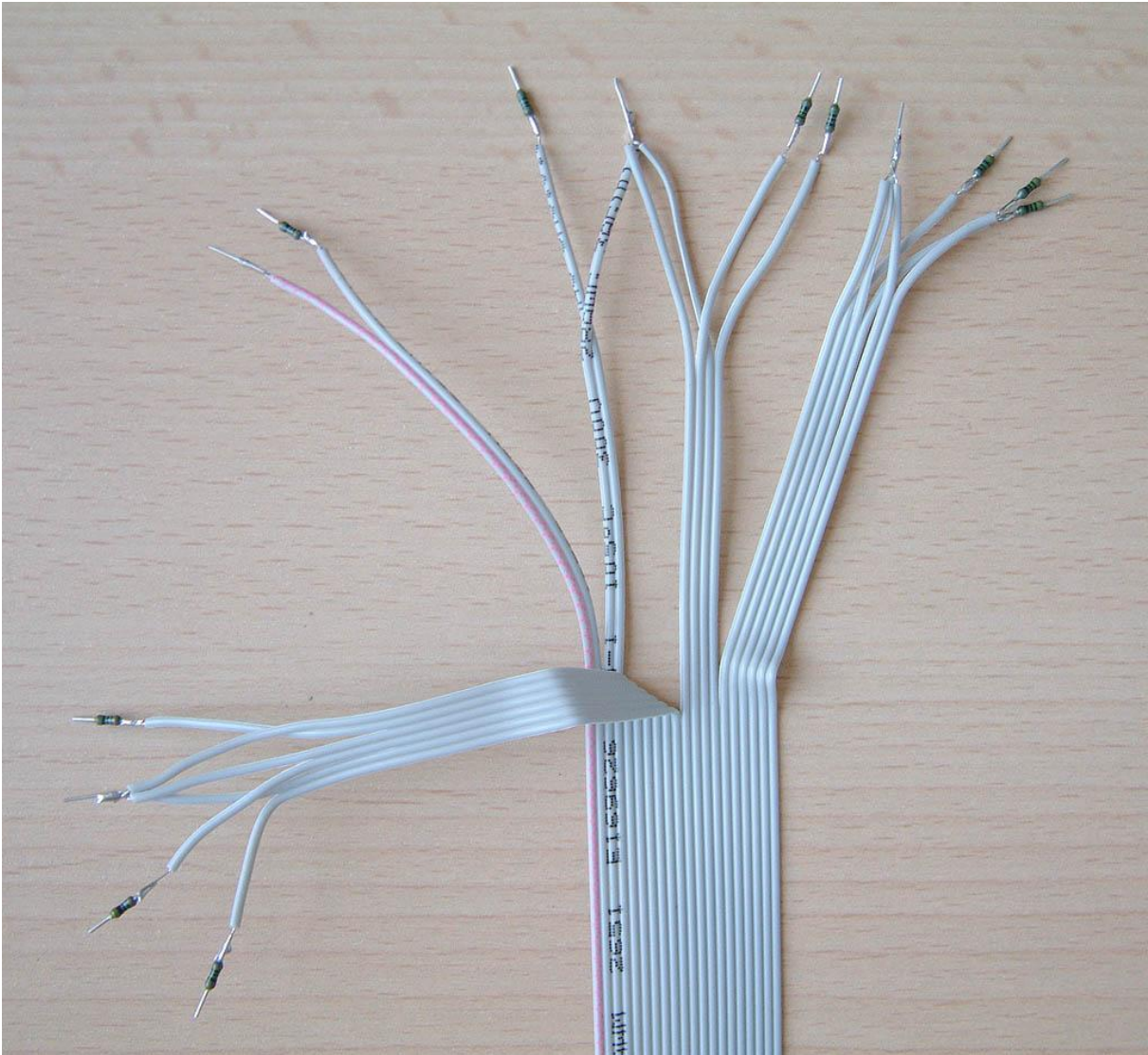
Cable preparation

All signal wires must be connected via 100Ω series termination resistor.



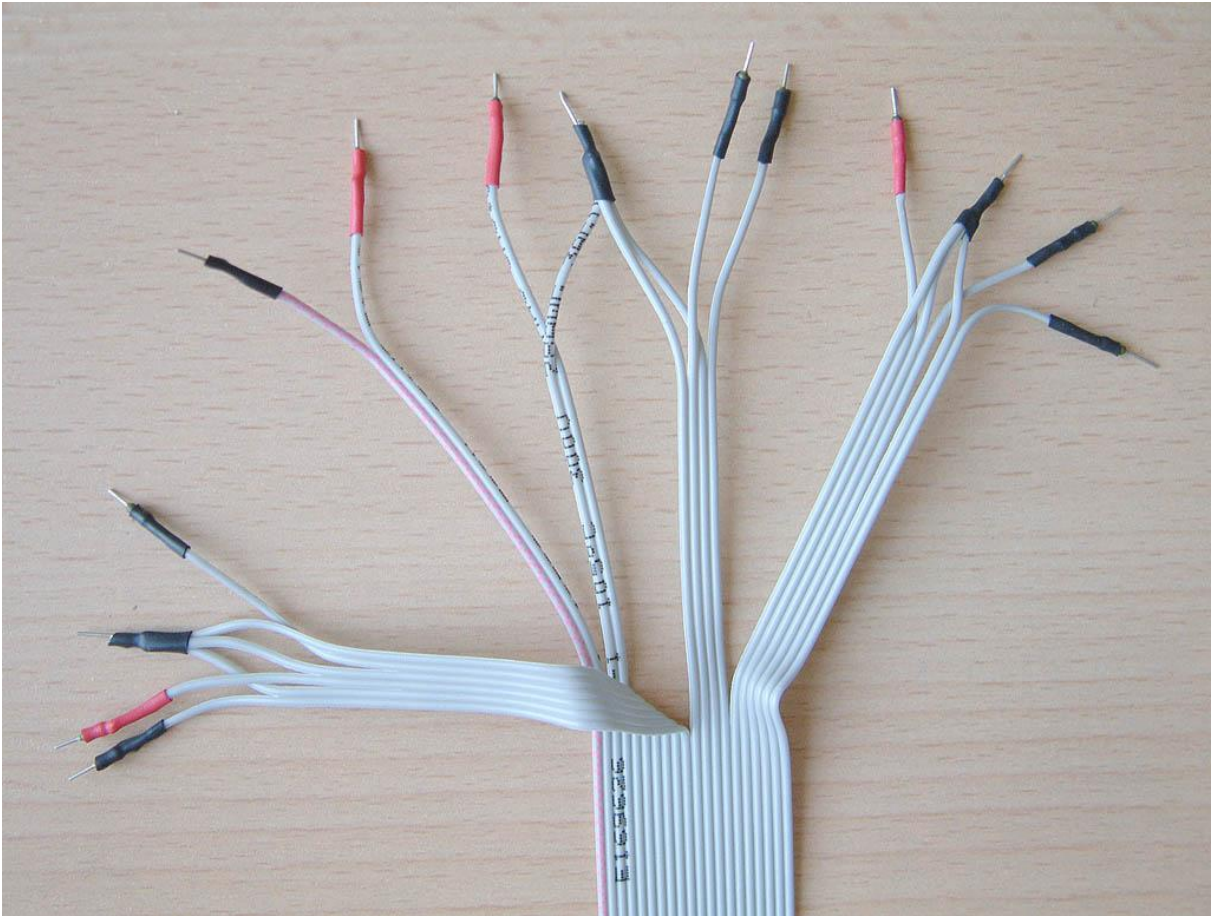
Vanity module Installation guide for Pioneer DV-59AVi / DV-868AVI / DV-668AV

Group together GND wires of the three kinds of signals (PCM, DSD and SPI) as shown in the picture below. Extend each of them with a short wire (cut off from a resistor).



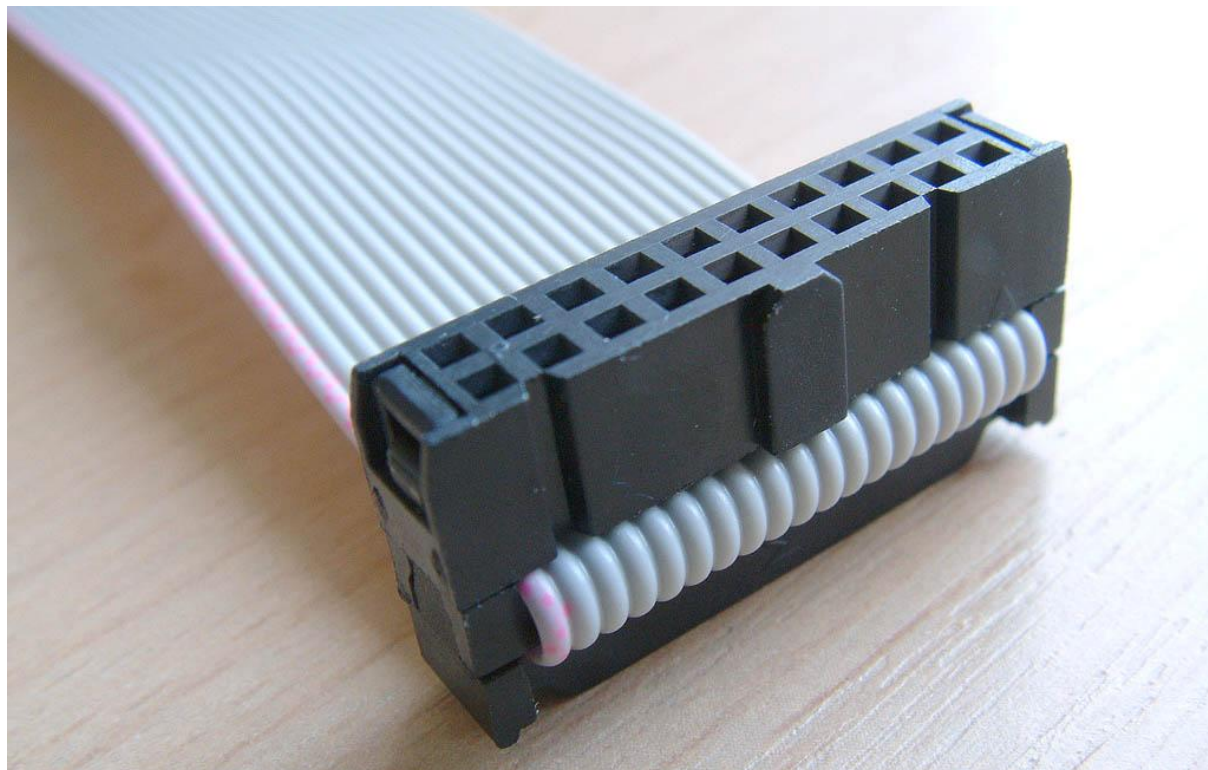
Vanity module Installation guide for Pioneer DV-59AVi / DV-868AVI / DV-668AV

Use heat shrinks to protect the solder joints.

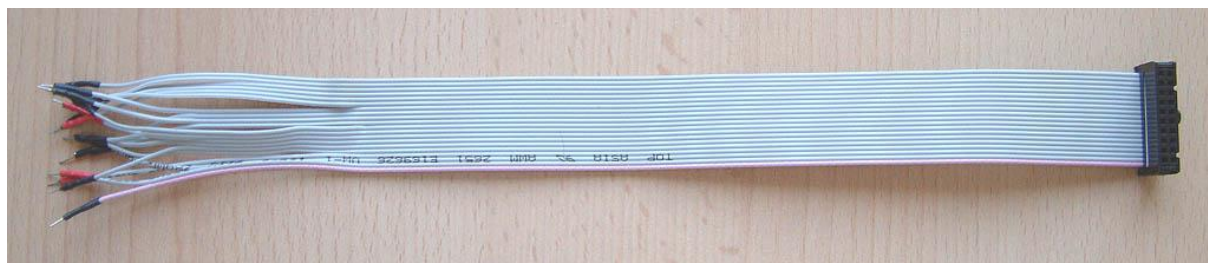


Vanity module Installation guide for Pioneer DV-59AVi / DV-868AVI / DV-668AV

Cut off a sufficient length of the ribbon cable and crimp the IDC connector. Watch the position of the red stripe.



The cable is ready.

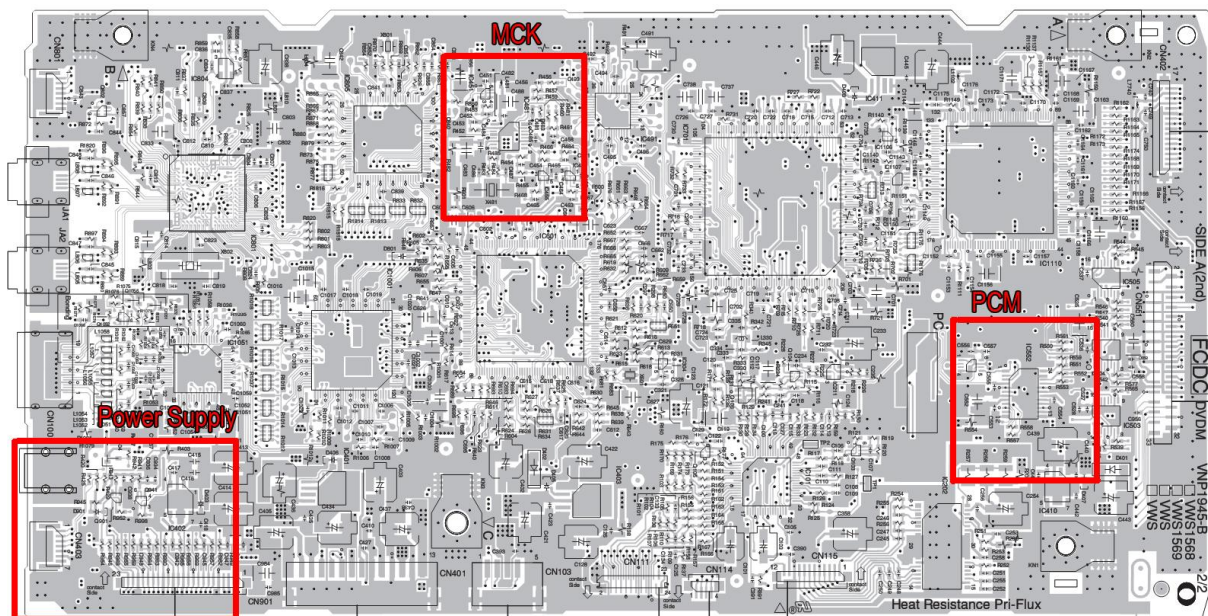


Tapping the signals in the player

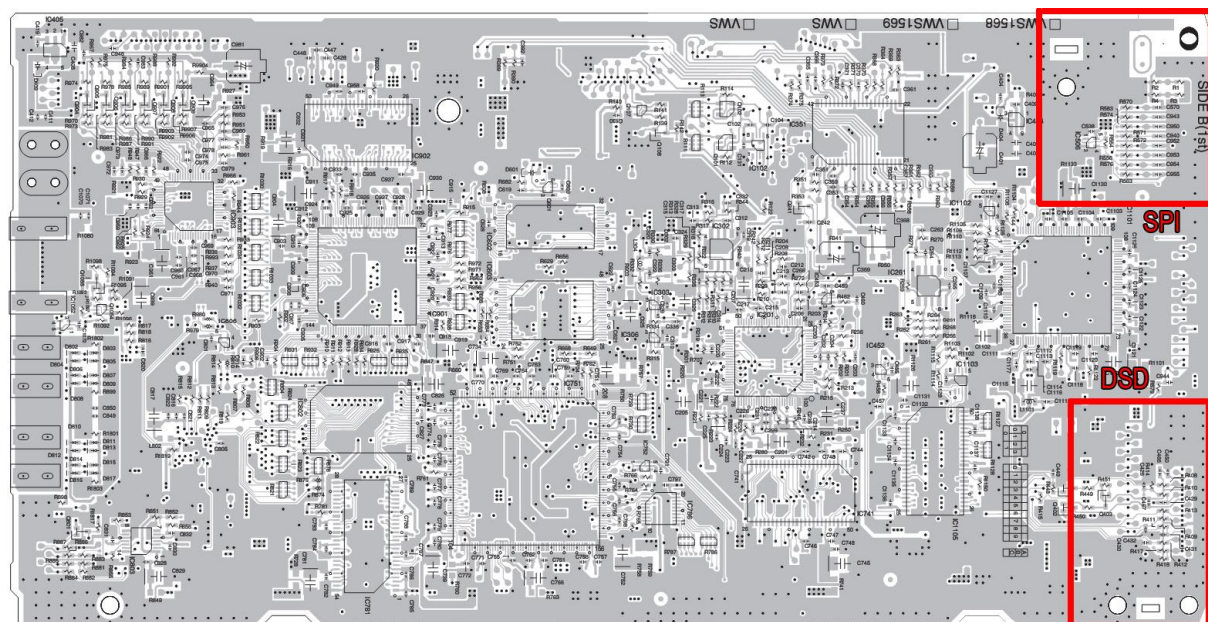
Overview

Remove the main DVD board out of the player. Connect SPI signals first and then proceed with DSD, PCM, MCK and power lines.

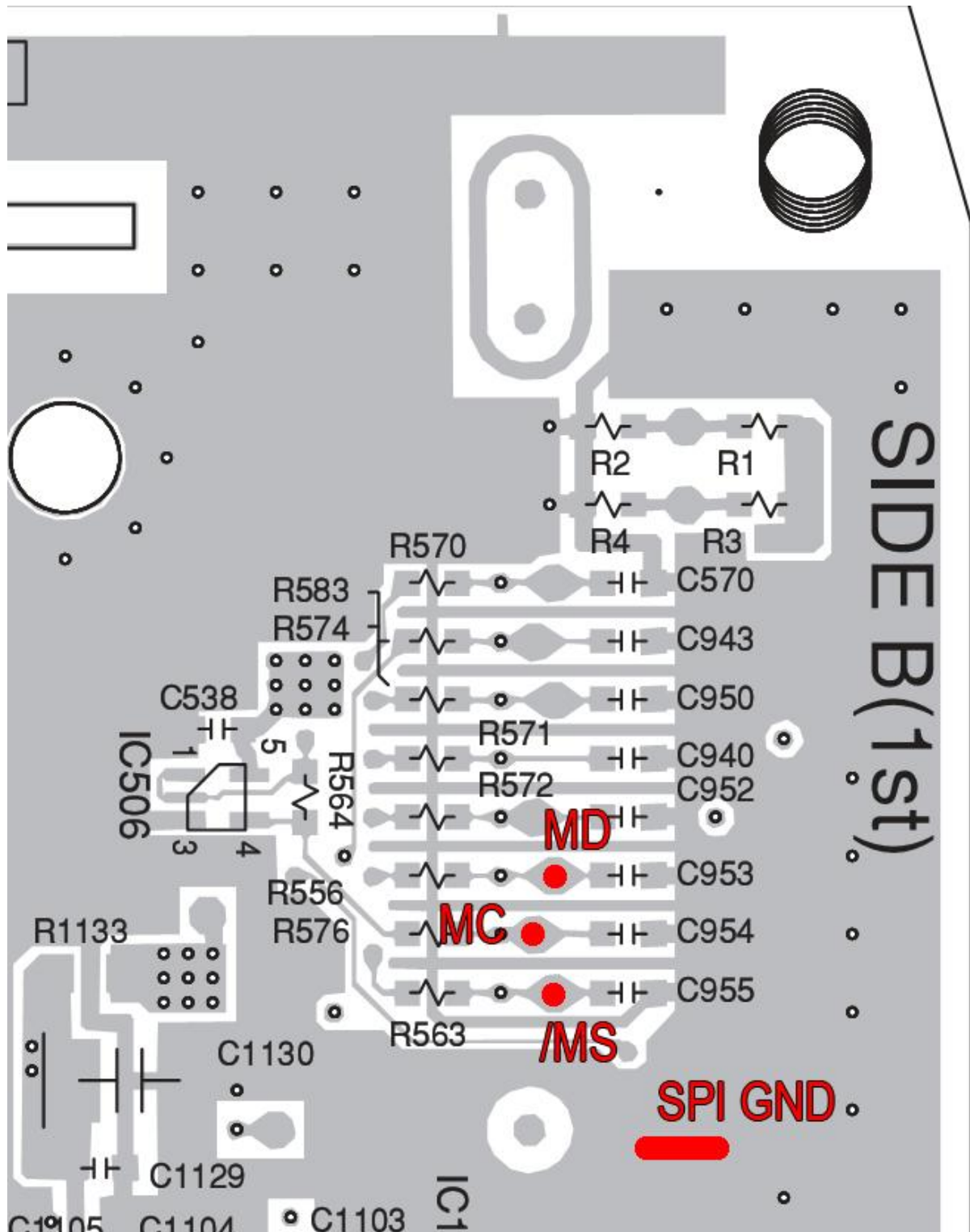
DVD board top view



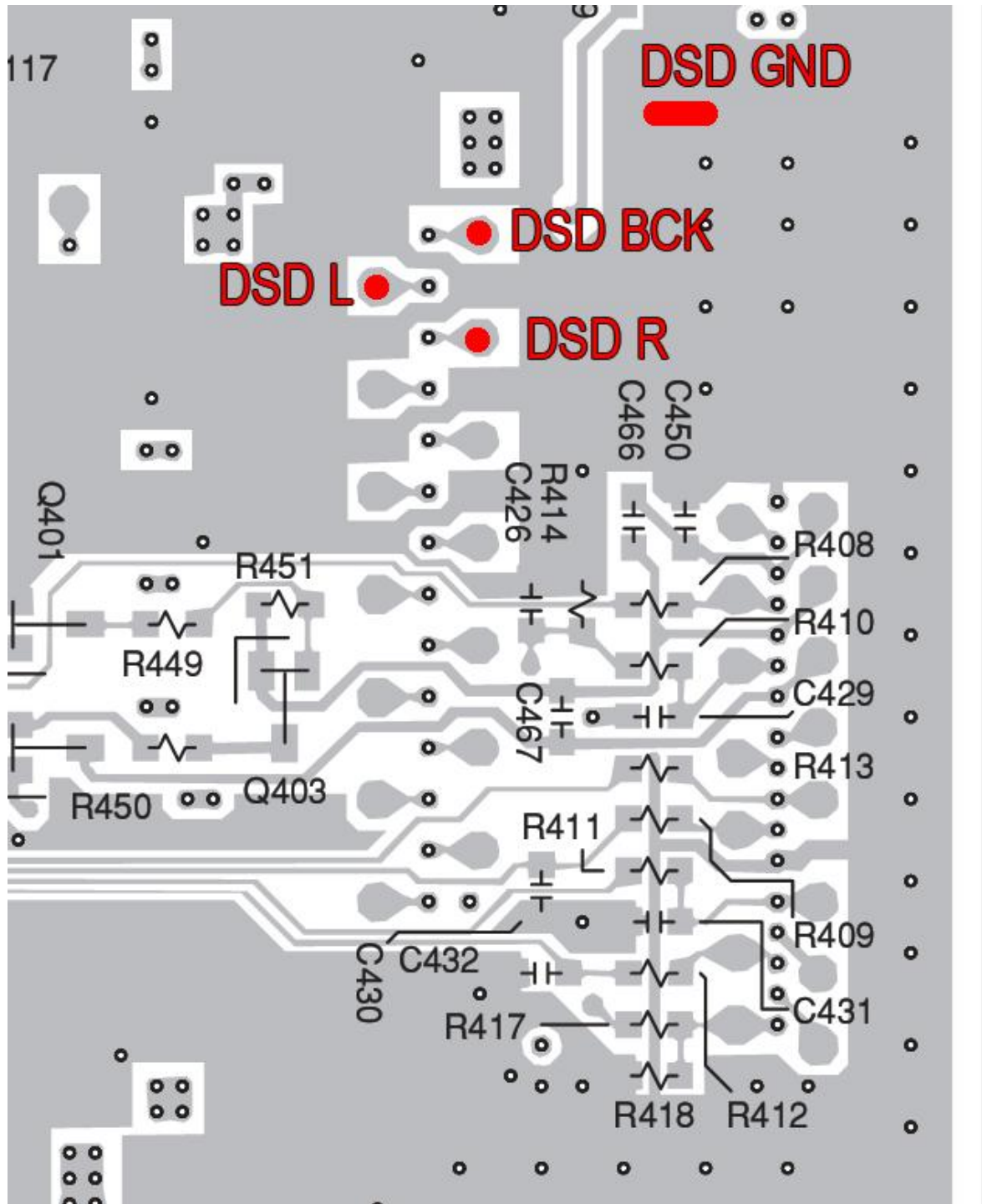
DVD board bottom view



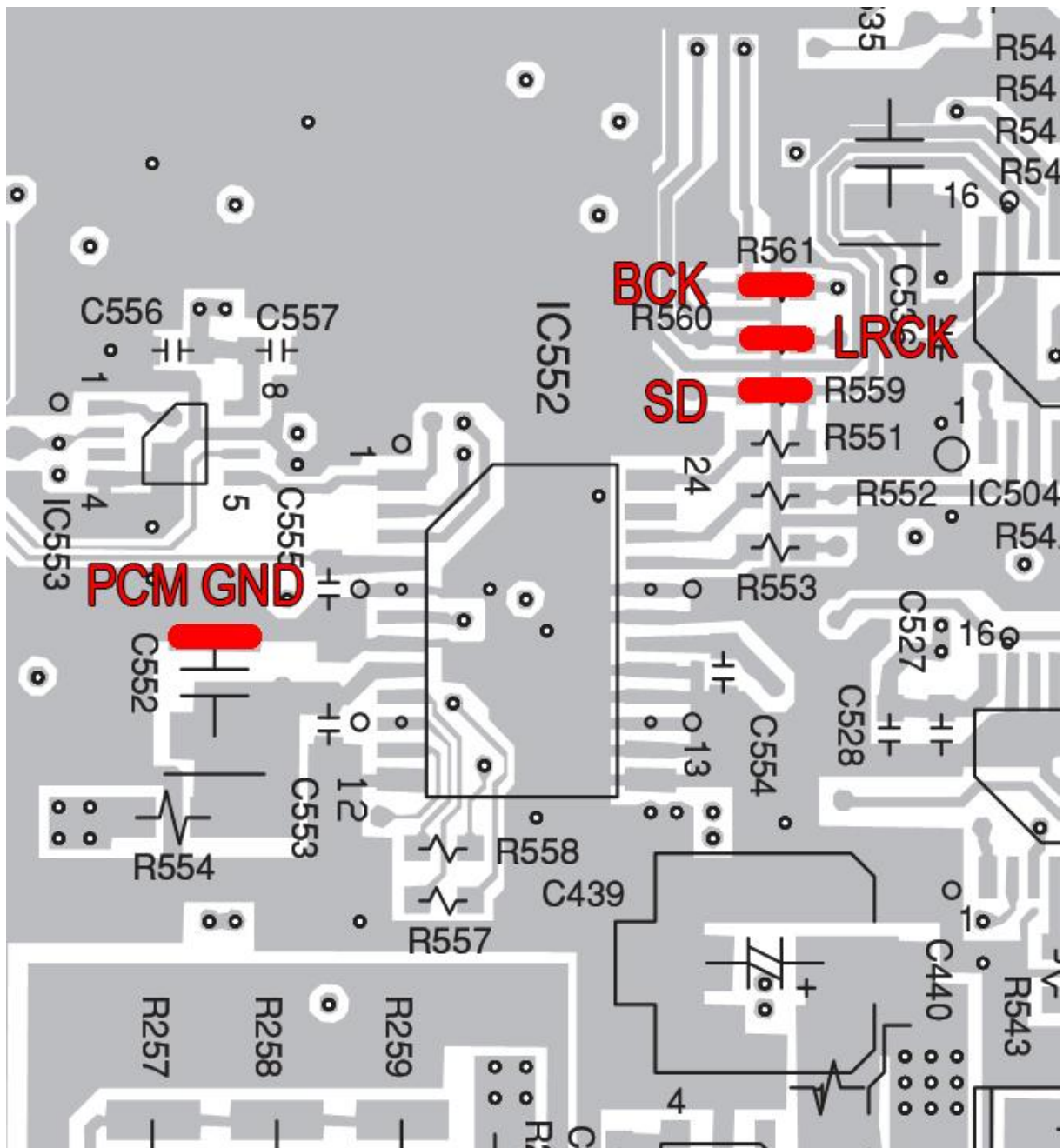
SPI signals



DSD signals

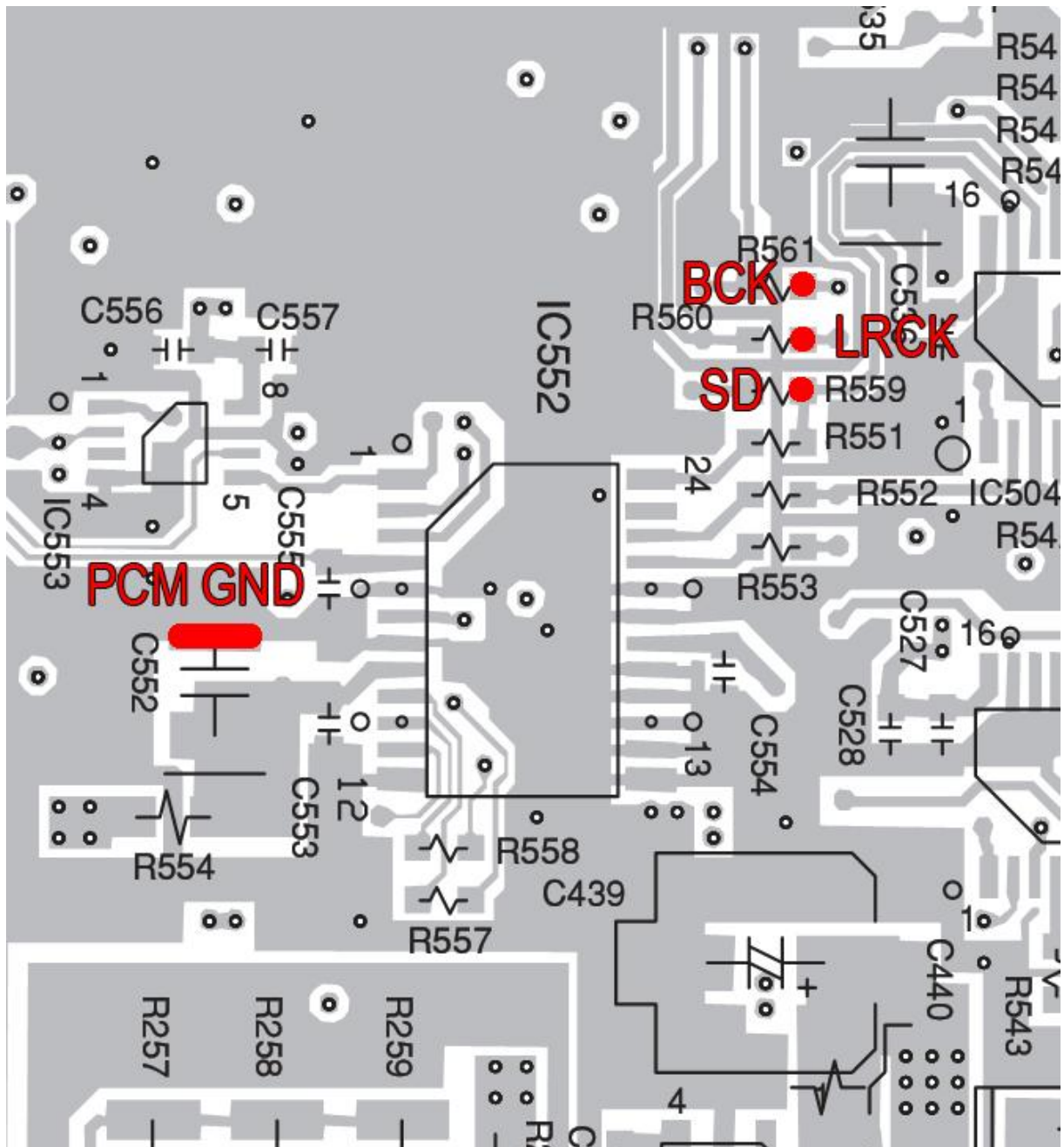


PCM signals for DV-668AV



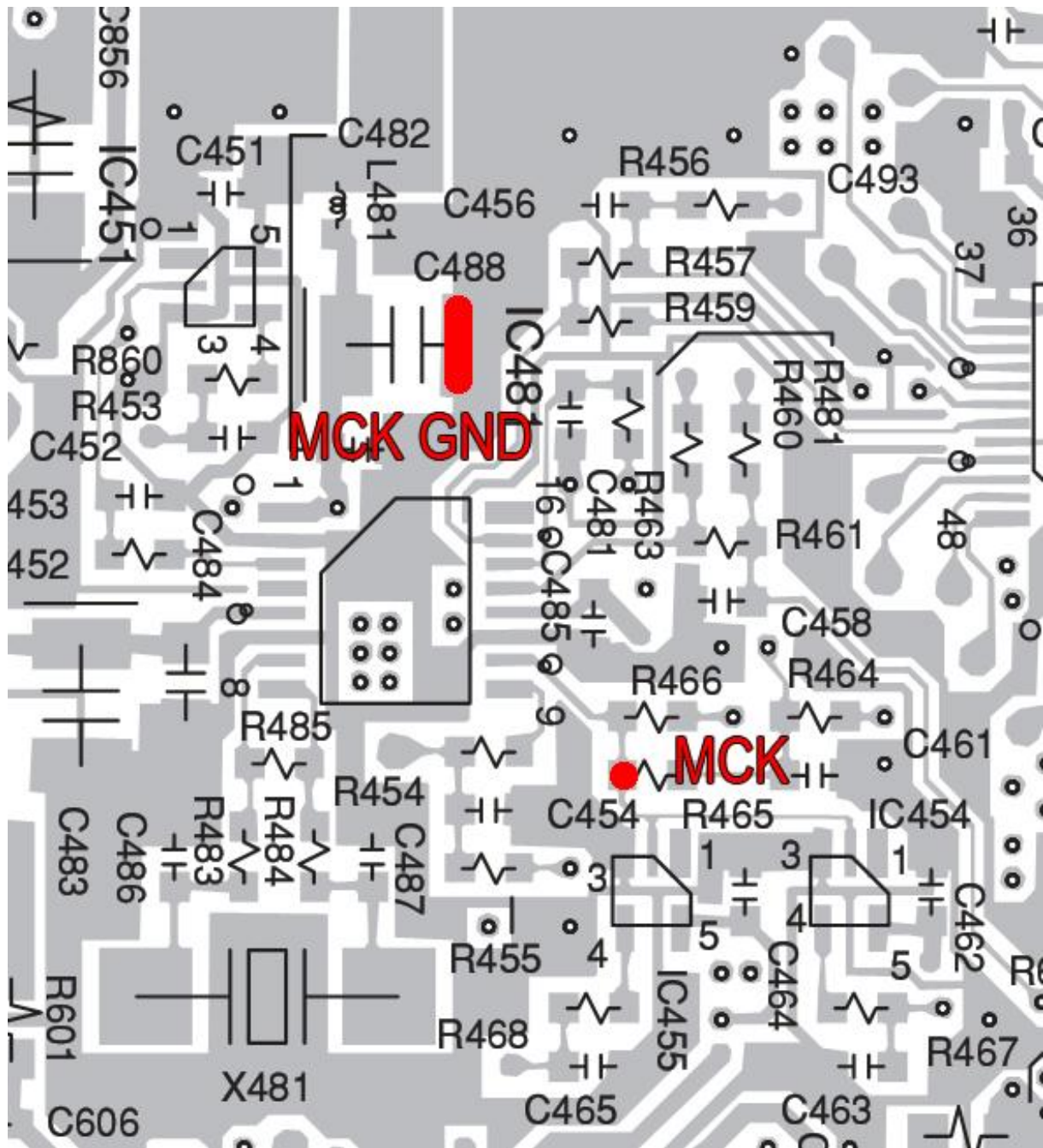
Find the position of IC552 – *Legato Link* chip – and remove resistors R559, R560 and R561. Tap PCM signals on their pads and make sure that both pads of each resistor are shorted as shown in the diagram. Connect PCM ground as indicated.

PCM signals for DV-868AVi



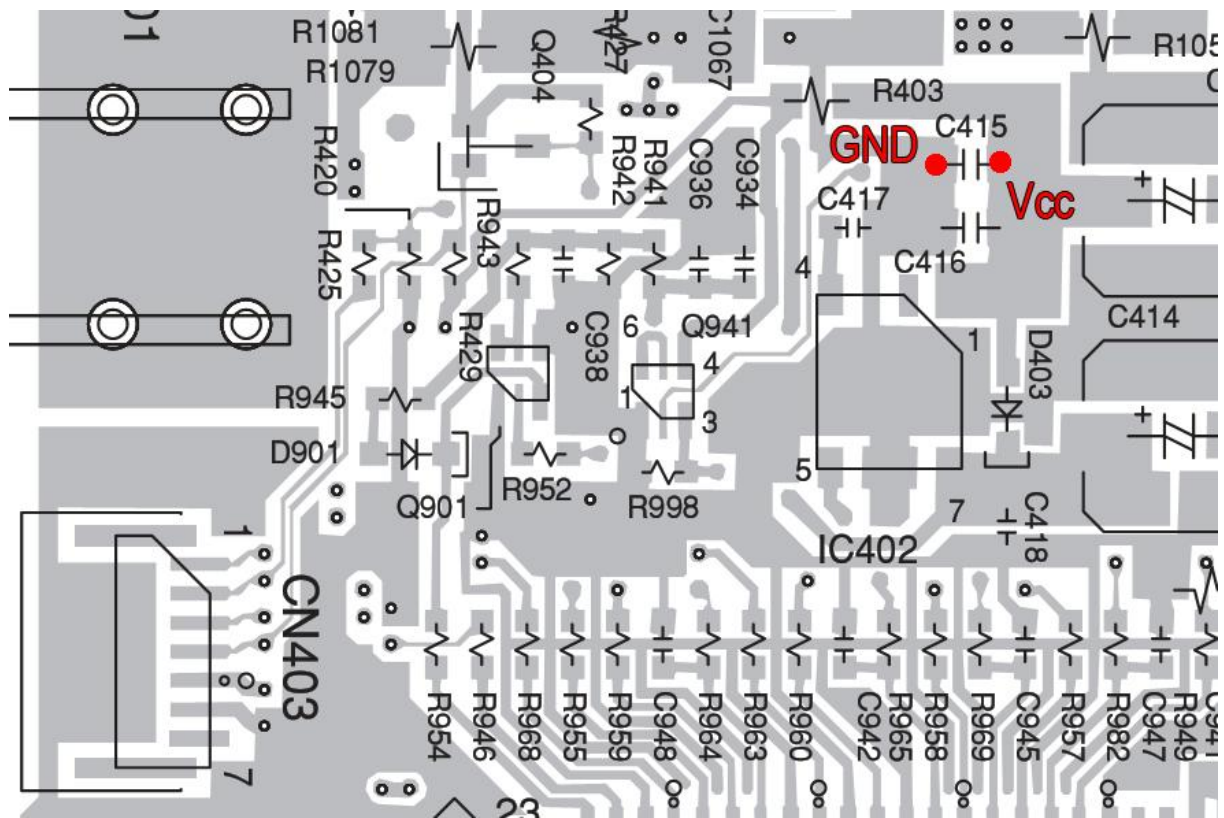
Find the position of IC552 – *Legato Link* chip – and tap PCM signals on pads of unpopulated resistors R559, R560 and R561 as shown in the diagram. Connect PCM ground as indicated.

MCK signal



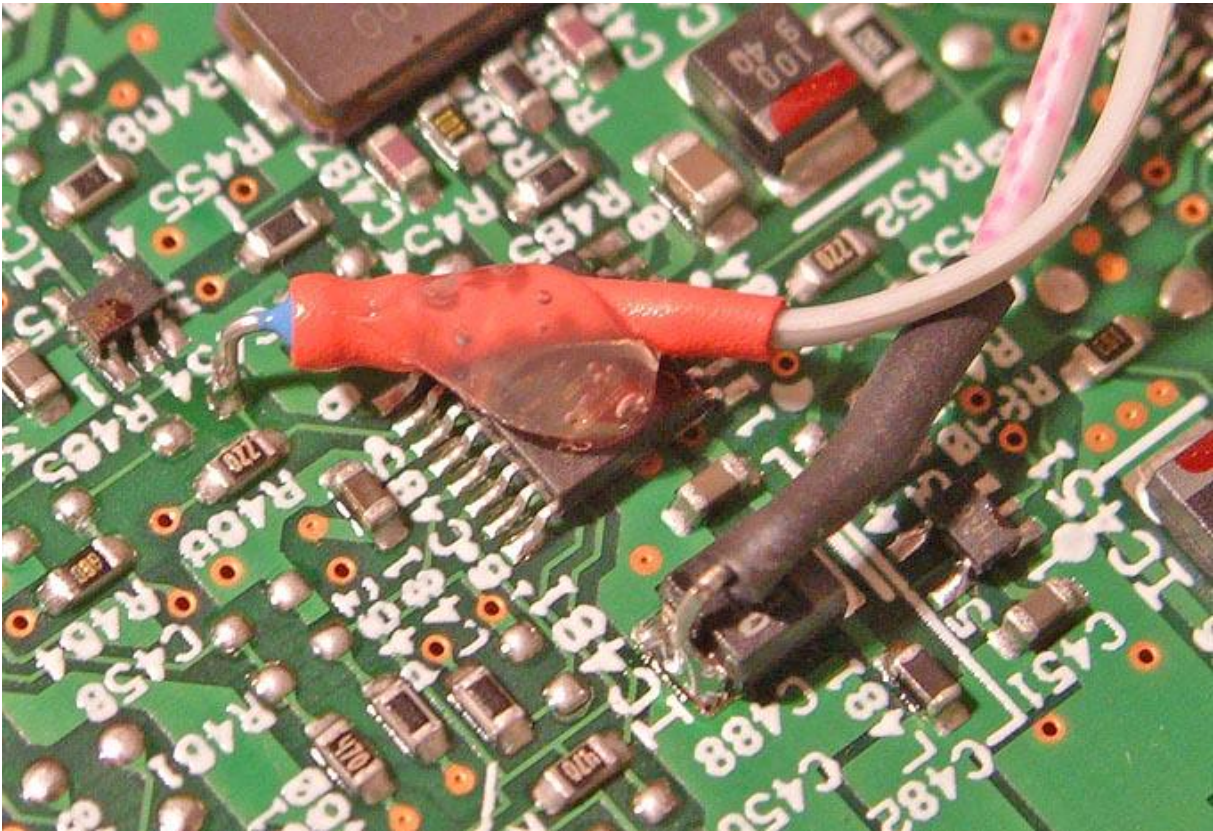
Find the position of IC481 – PLL clock generator – and tap MCK signal on pad of the unpopulated resistor R465 as shown in the diagram. Connect MCK ground as indicated.

Power supply lines



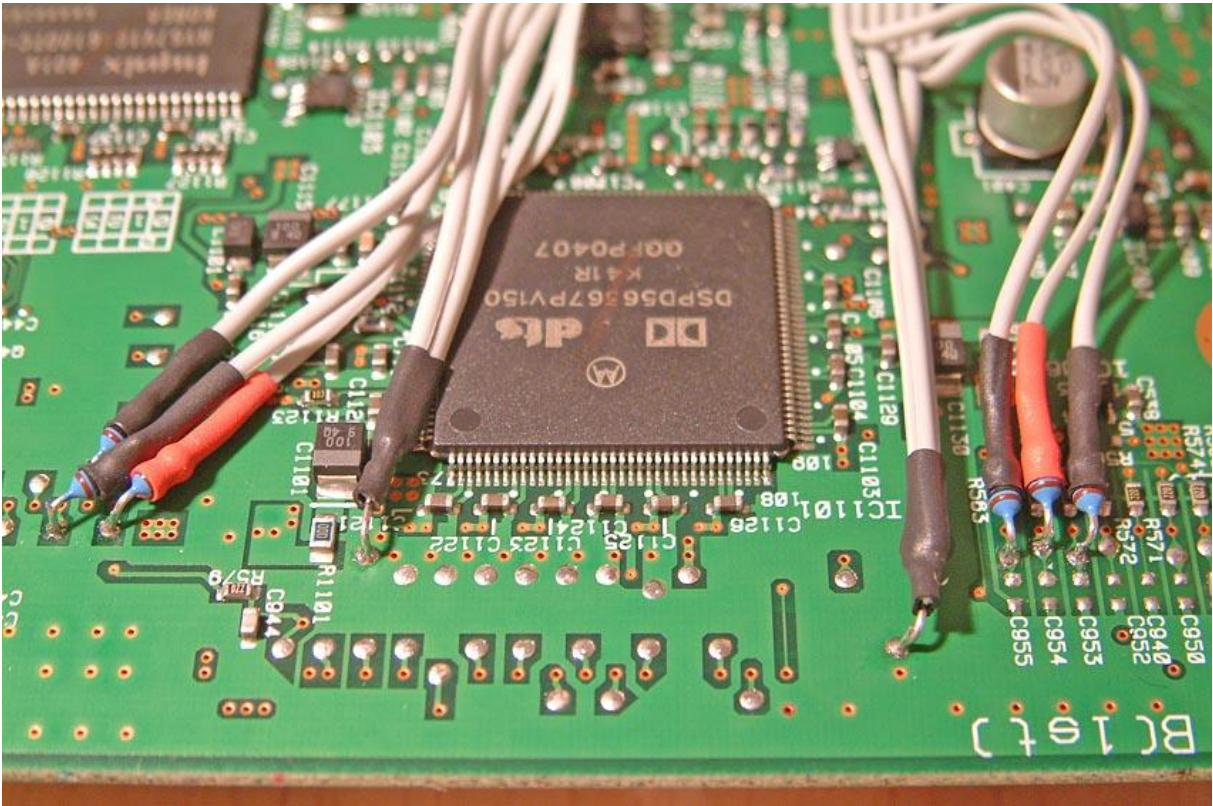
Find the position of IC402 – 5V regulator – and connect power supply lines on pads of the unpopulated capacitor C415.

Detail of MCK lines



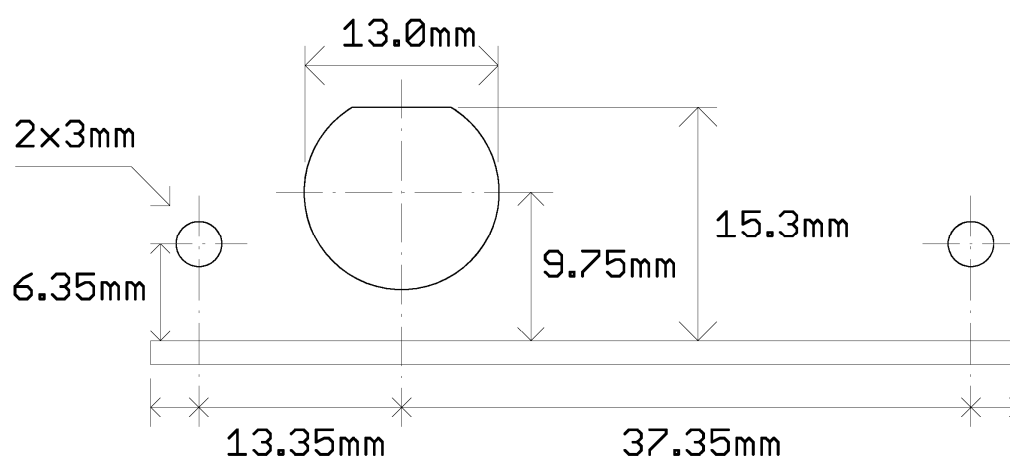
You may use hot glue to fix the cables in their position to protect the resistor-board connection.

Detail of SPI and DSD lines



Put all the boards back and carefully adjust the ribbon cable to fit into the player.
You have now successfully installed the Vanity module in your player!

Rear panel cutout



Please note: Legato Link feature should be disabled in the player's menu.