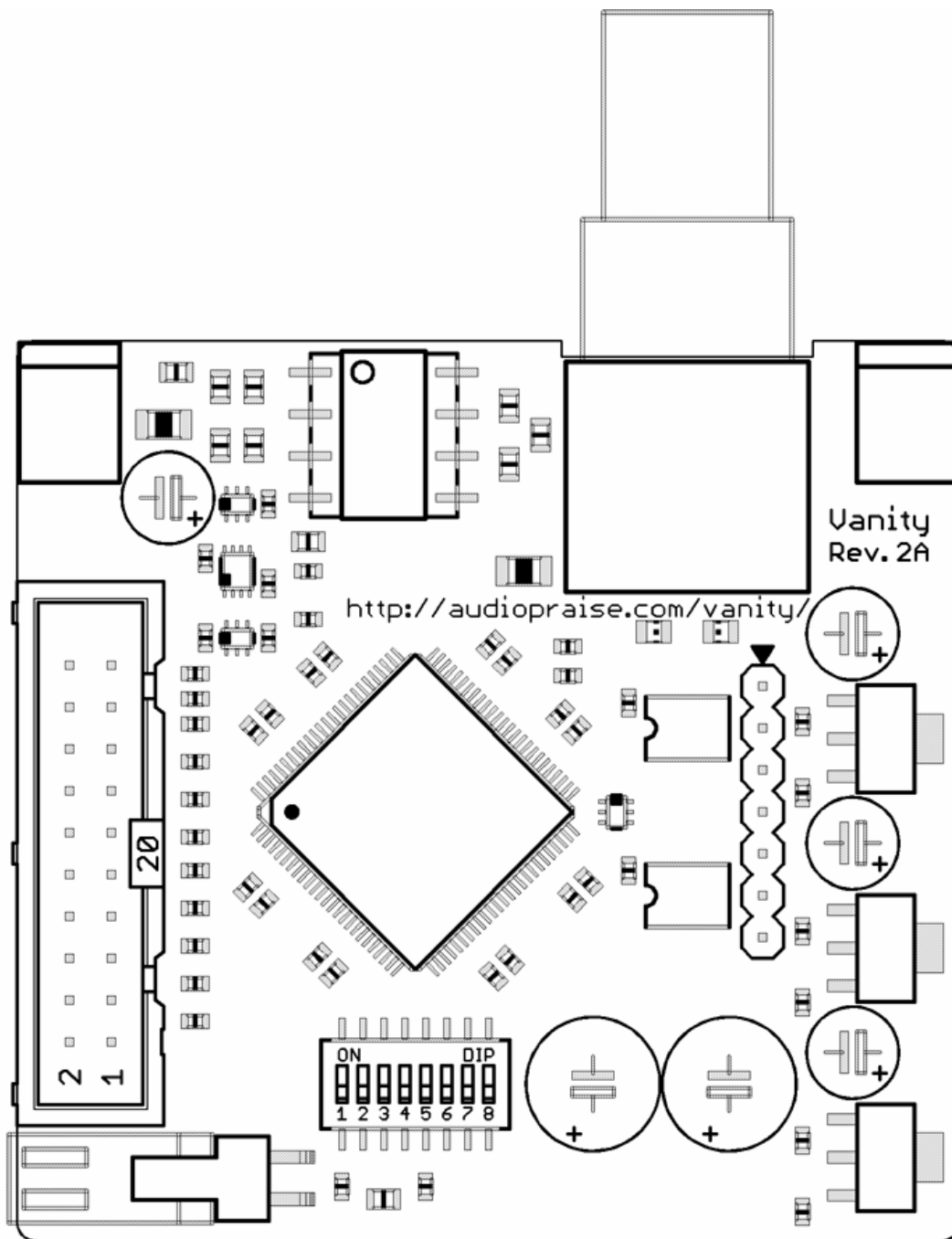
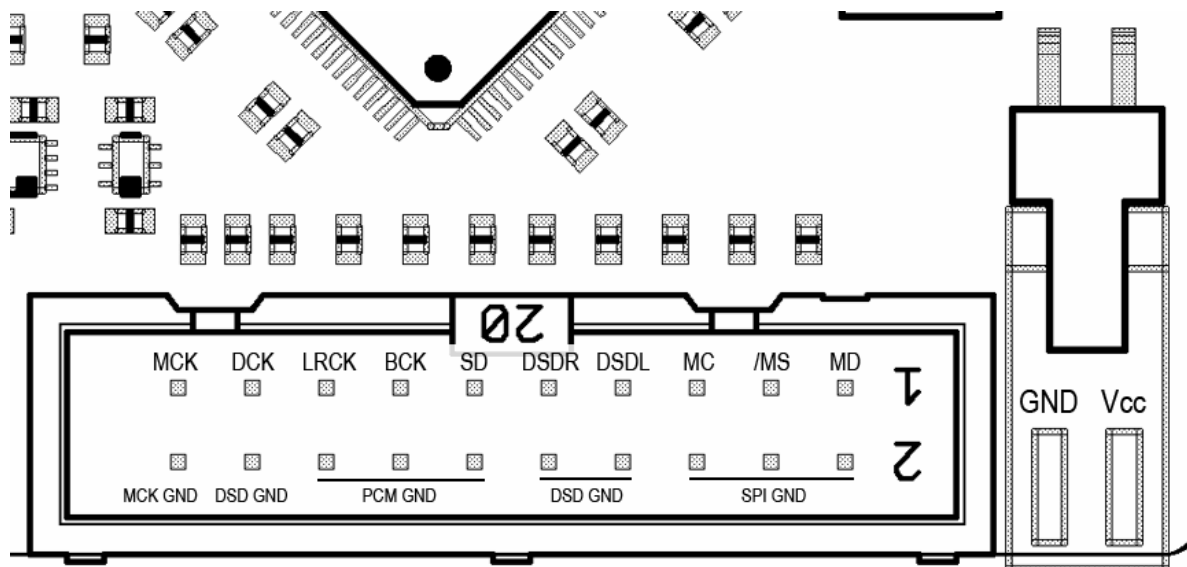


Vanity module Installation guide for Pioneer DV-989AVi / DV-79AVi



Connector pinout



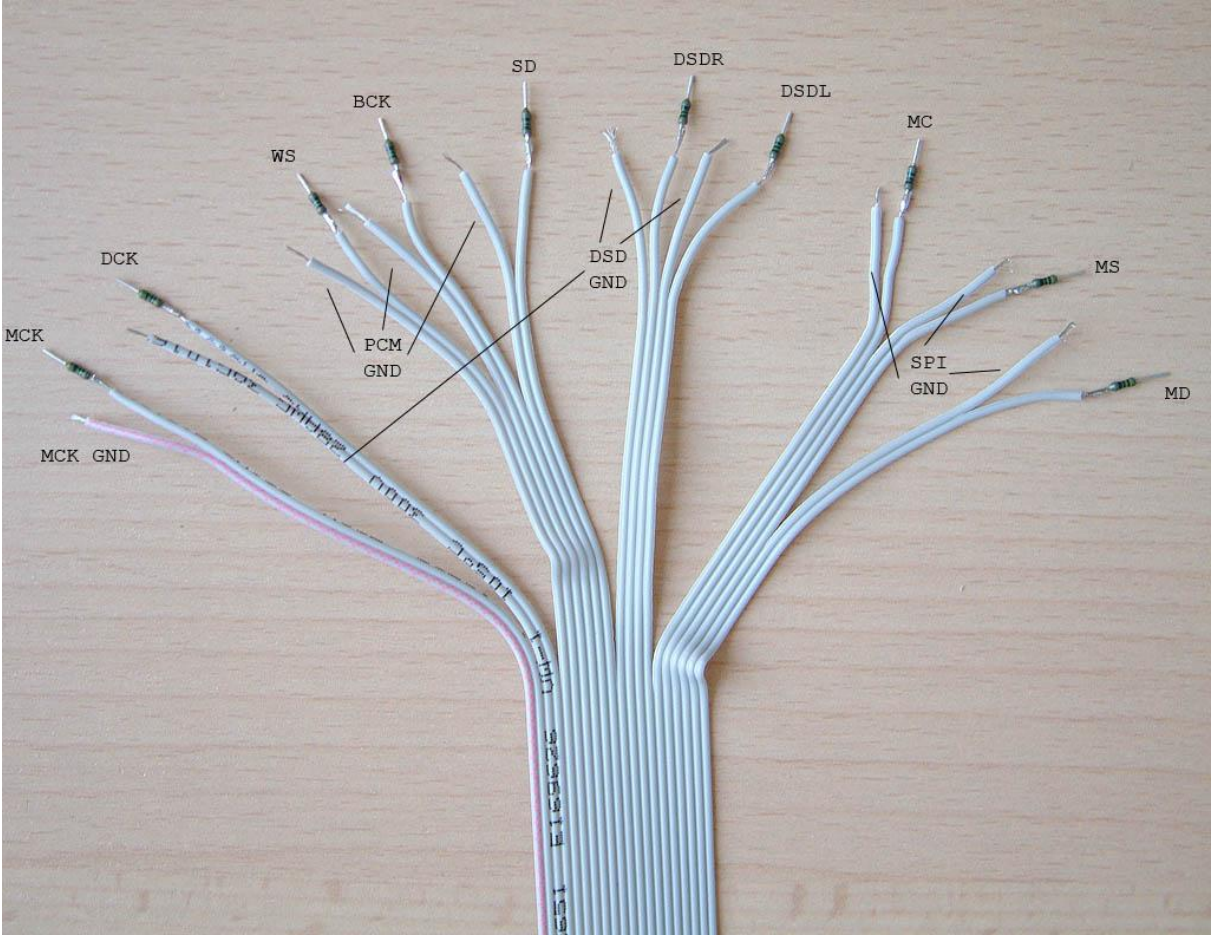
MCK – Master Clock
 DCK – DSD Bitclock
 LRCK – Left/Right Clock
 BCK – PCM Bitclock
 SD – PCM Serial Data
 DSDR – DSD Right Data
 DSDL – DSD Left Data
 MC – SPI Clock
 MS – SPI Select
 MD – SPI Data

MCK GND – Master Clock Ground
 DSD GND – DSD Ground
 PCM GND – PCM Ground
 SPI GND – SPI Ground

V_{CC} – Power Supply, 5V
 GND – Ground

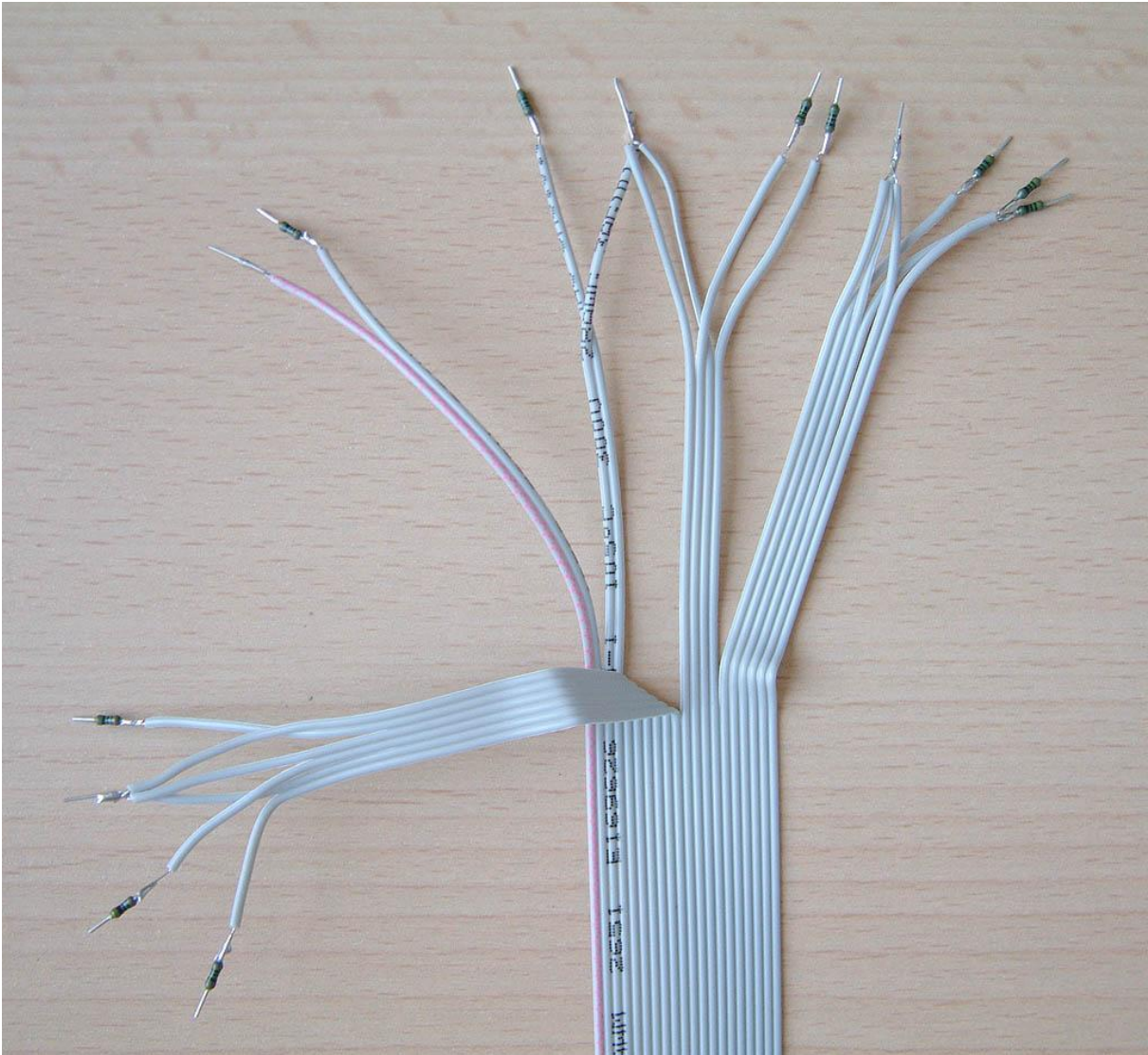
Cable preparation

All signal wires must be connected via 100Ω series termination resistor.



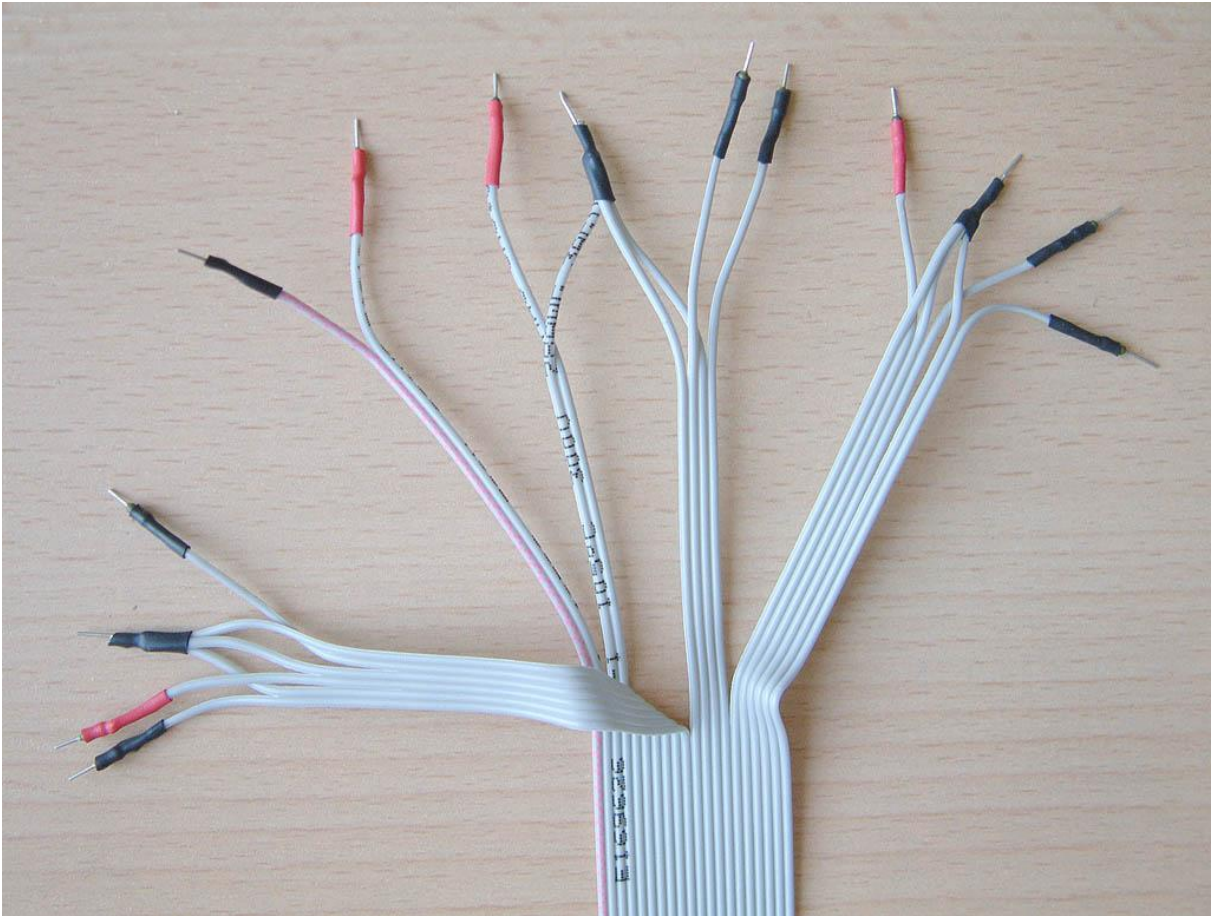
Vanity module Installation guide for Pioneer DV-989AVi / DV-79AVi

Group together GND wires of the three kinds of signals (PCM, DSD and SPI) as shown in the picture below. Extend each of them with a short wire (cut off from a resistor).



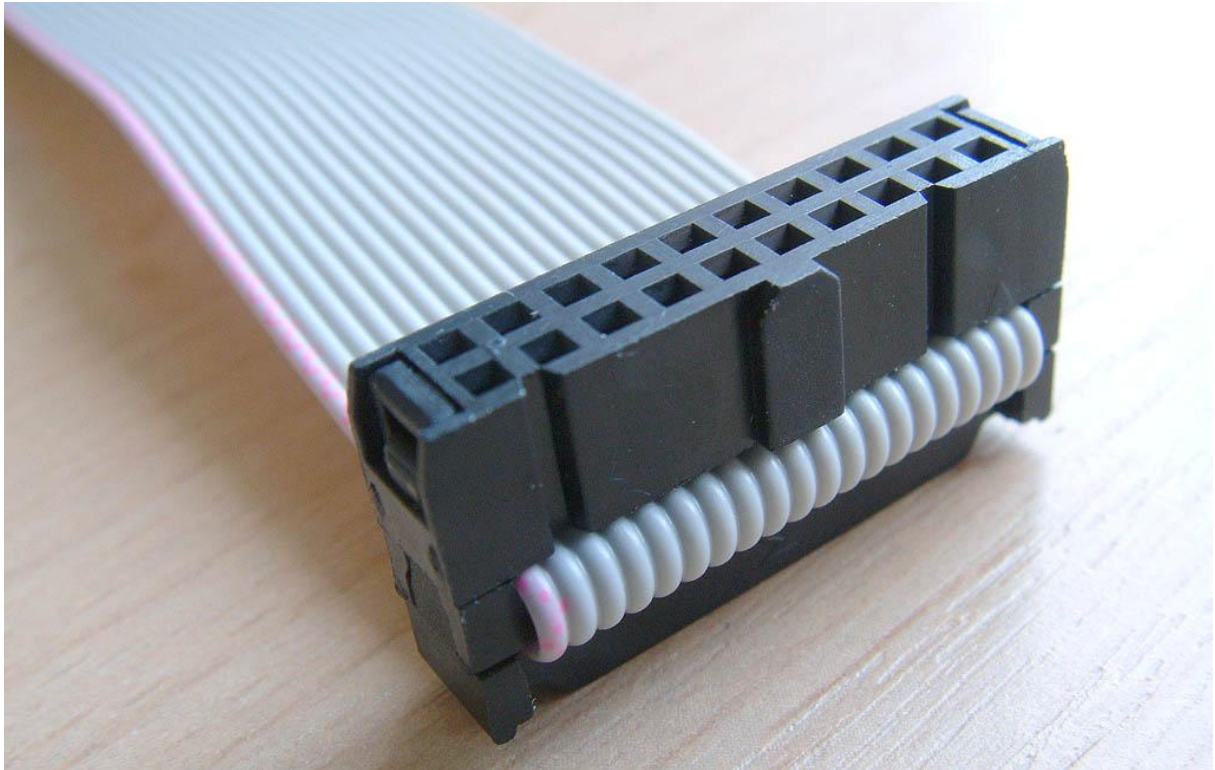
Vanity module Installation guide for Pioneer DV-989AVi / DV-79AVi

Use heat shrinks to protect the solder joints.

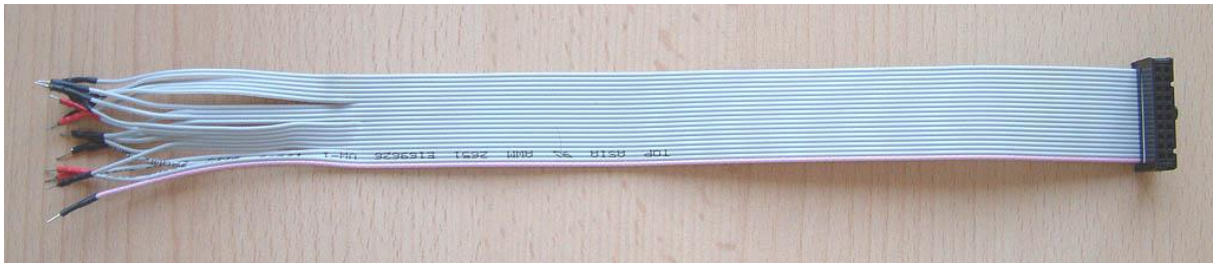


Vanity module Installation guide for Pioneer DV-989AVi / DV-79AVi

Cut off a sufficient length of the ribbon cable and crimp the IDC connector. Watch the position of the red stripe.



The cable is ready.

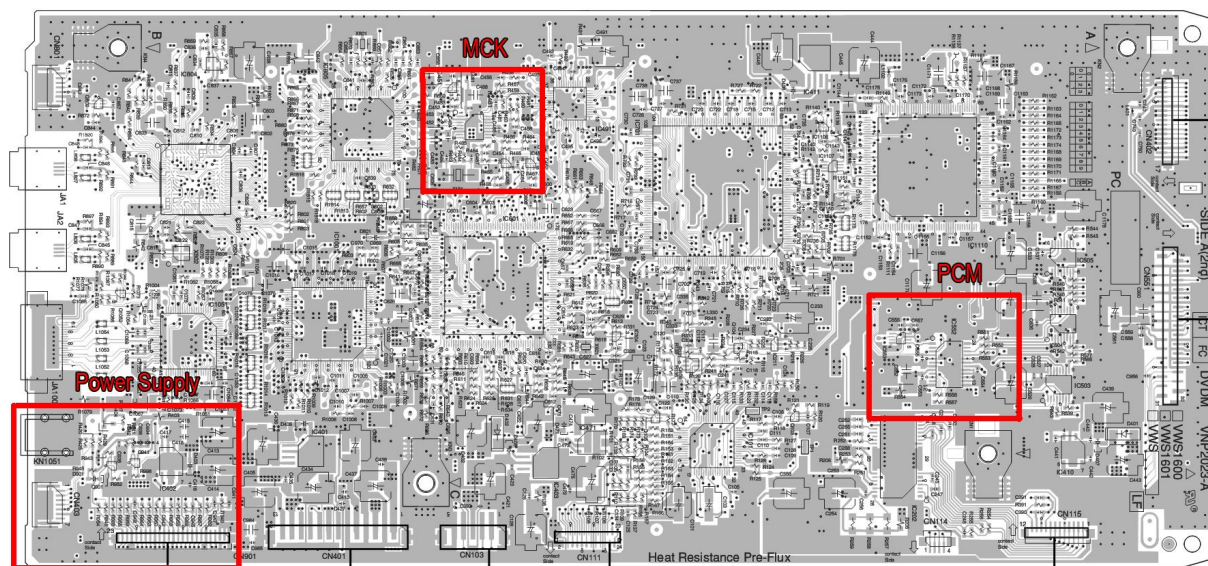


Tapping the signals in the player

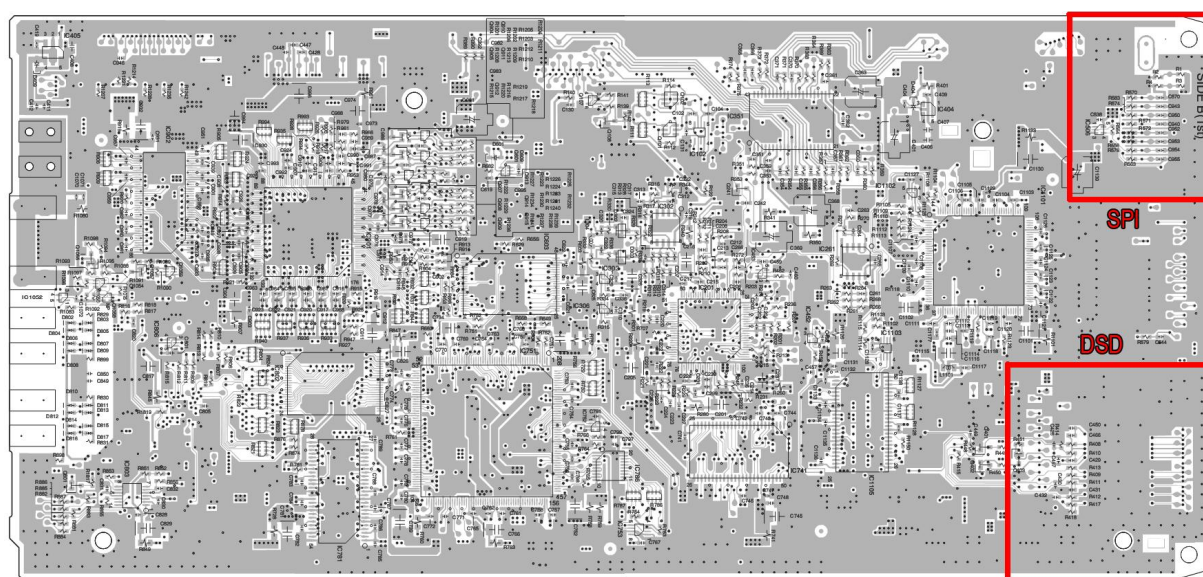
Overview

Remove the main DVD board out of the player. Connect SPI signals first and then proceed with DSD, PCM, MCK and power lines.

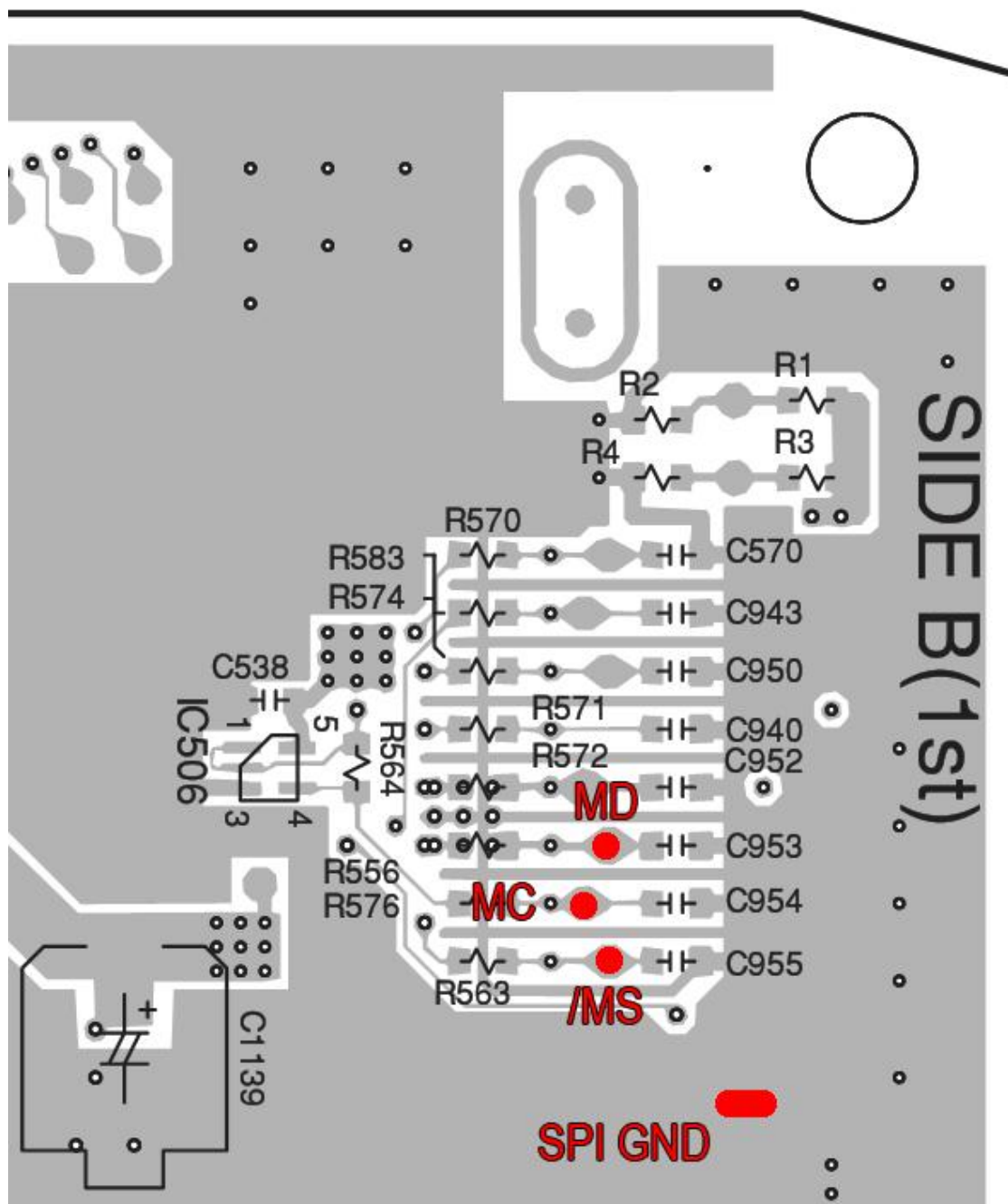
DVD board top view



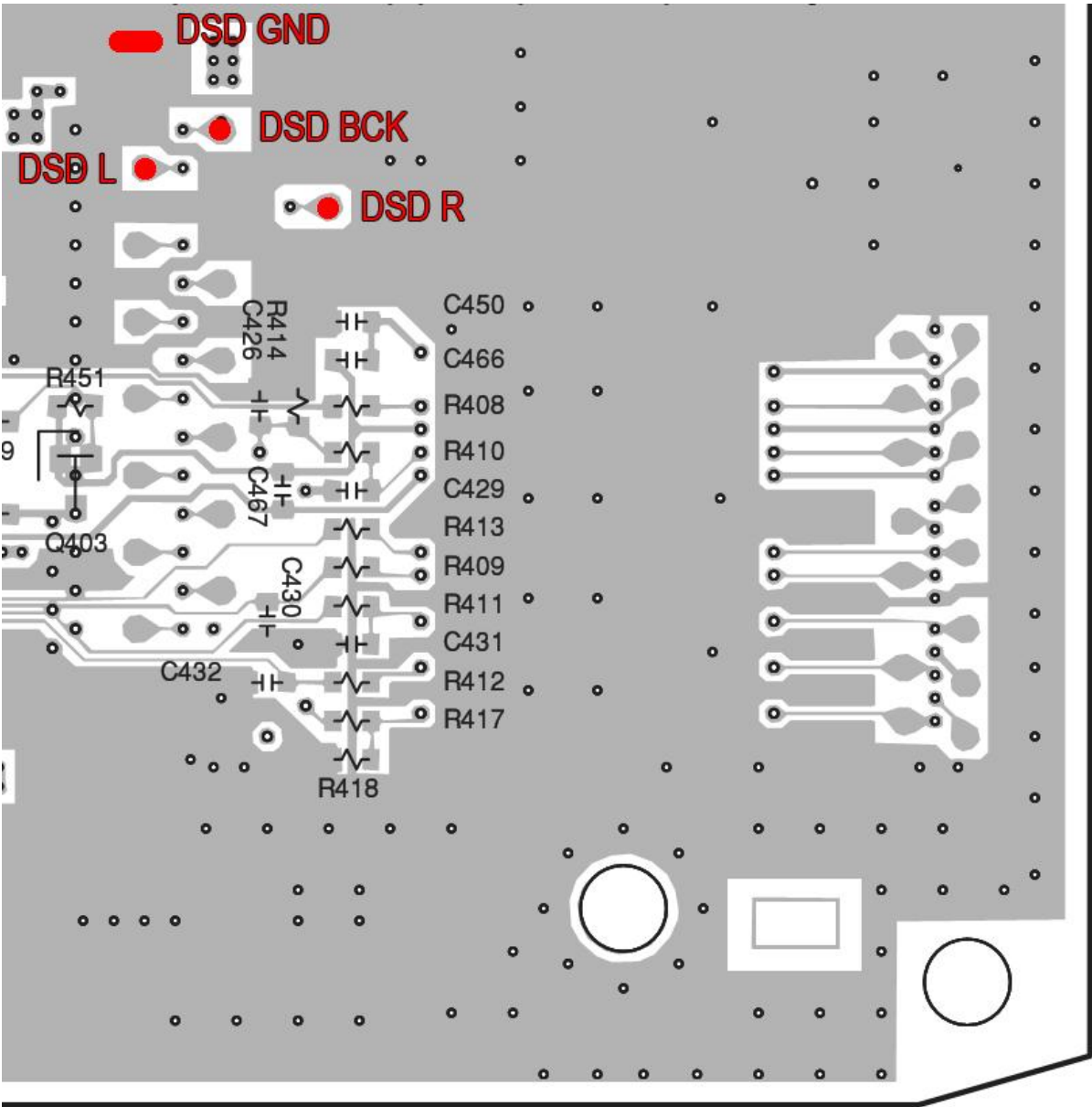
DVD board bottom view



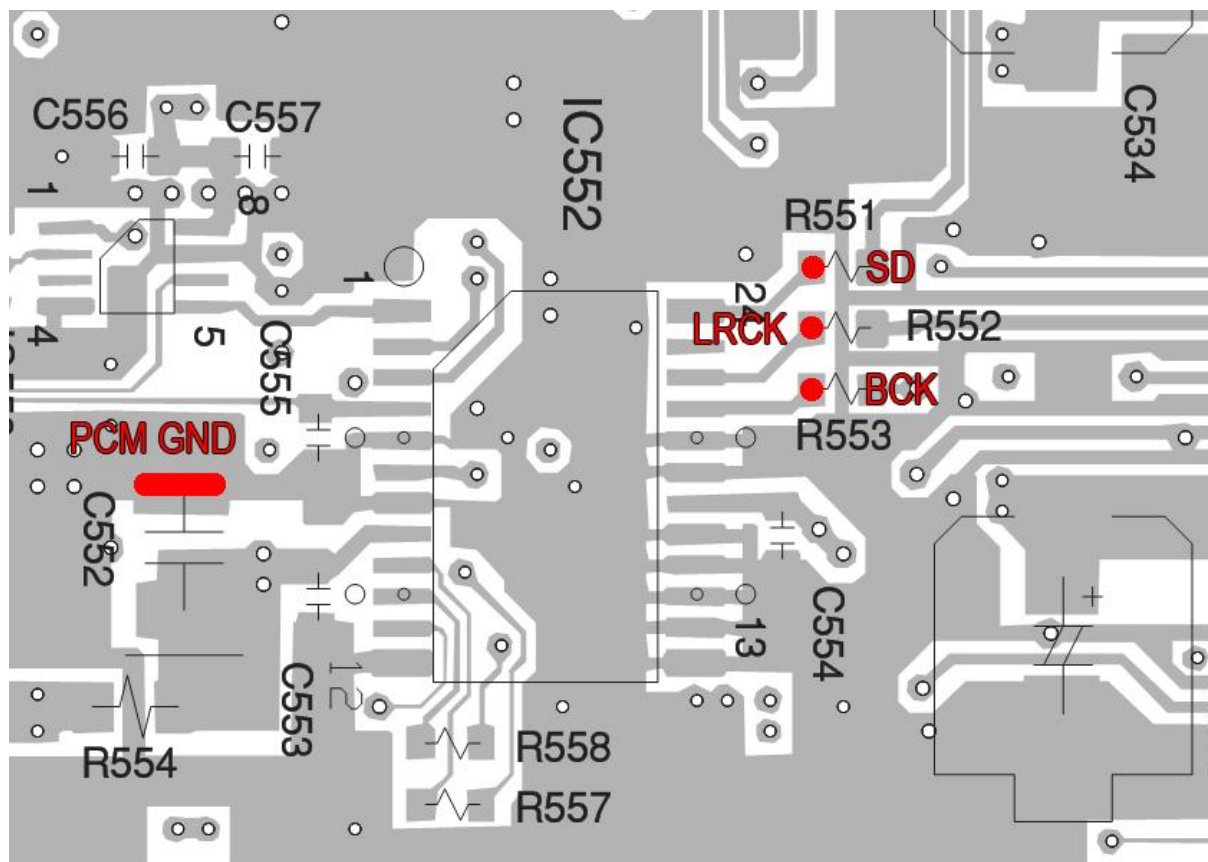
SPI signals



DSD signals

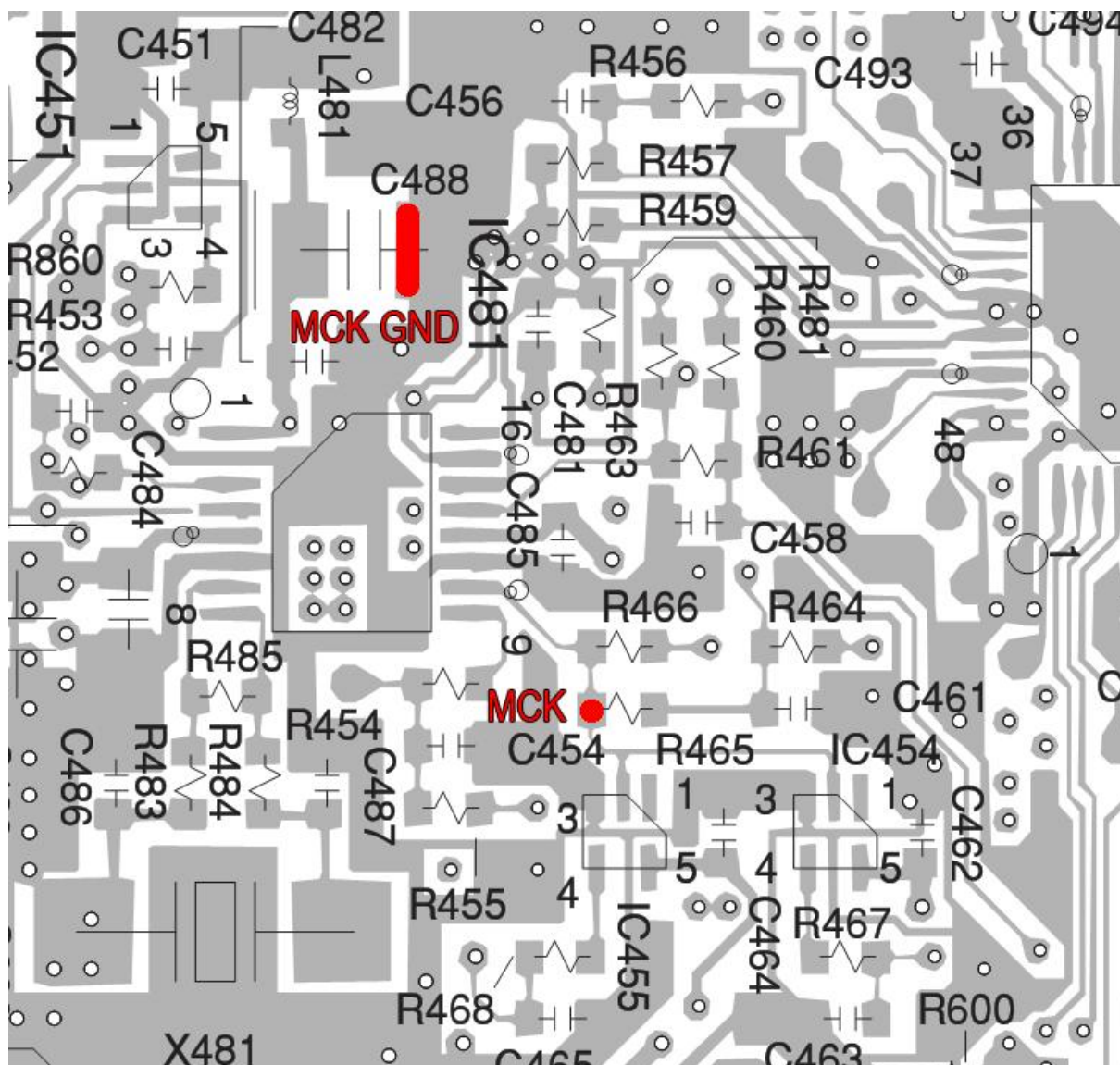


PCM signals



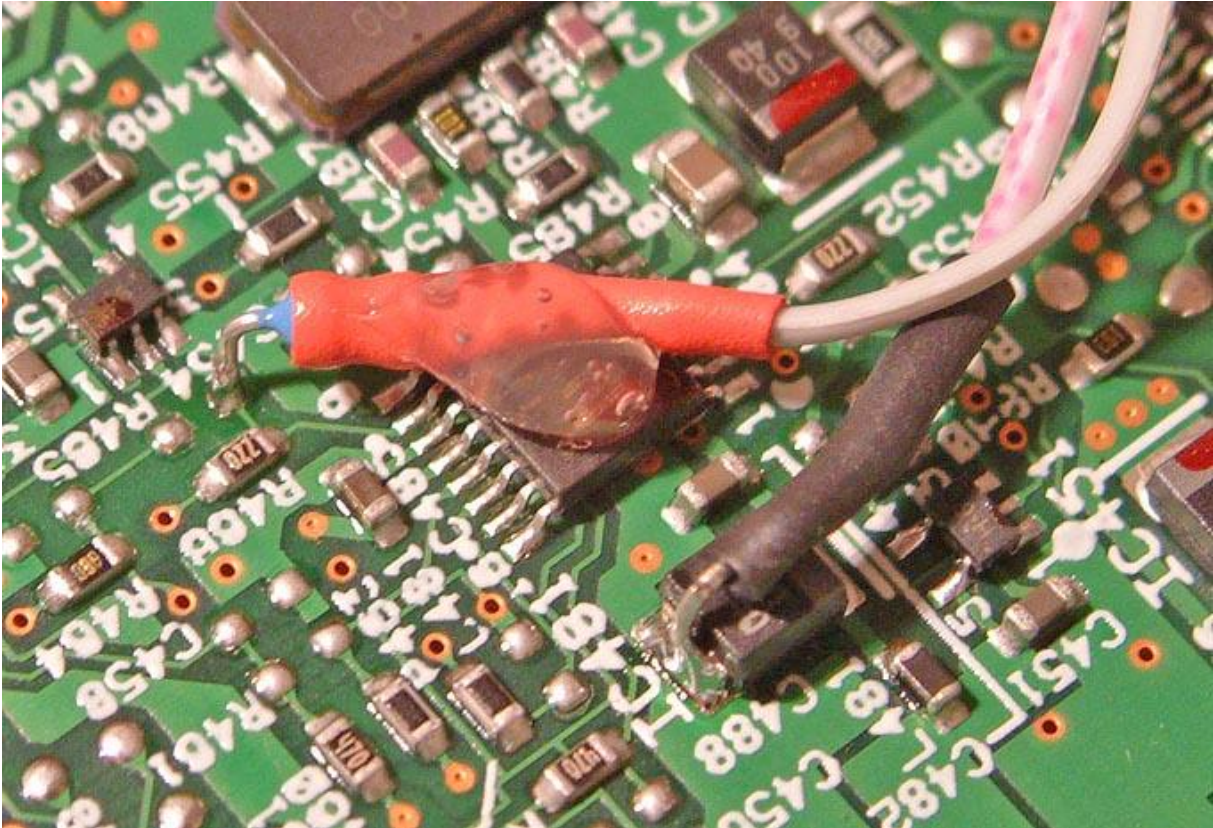
Find the position of IC552 – *Legato Link* chip – and tap PCM signals on pads of resistors R551, R552 and R553 as shown in the diagram. Connect PCM ground as indicated.

MCK signal



Find the position of IC481 – PLL clock generator – and tap MCK signal on pad of the unpopulated resistor R465 as shown in the diagram. Connect MCK ground as indicated.

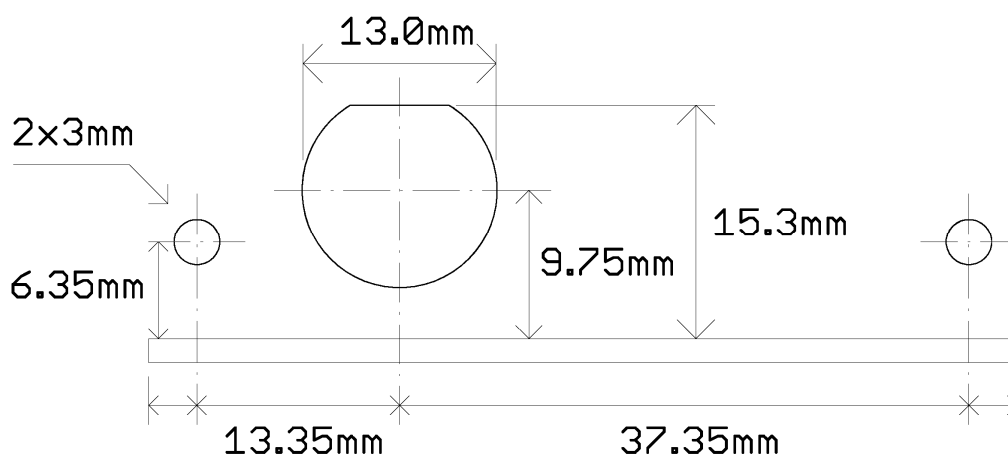
Detail of MCK lines



You may use hot glue to fix the cables in their position to protect the resistor-board connection.

Put all the boards back and carefully adjust the ribbon cable to fit into the player.
You have now successfully installed the Vanity module in your player!

Rear panel cutout



Please note: Legato Link feature should be disabled in the player's menu.